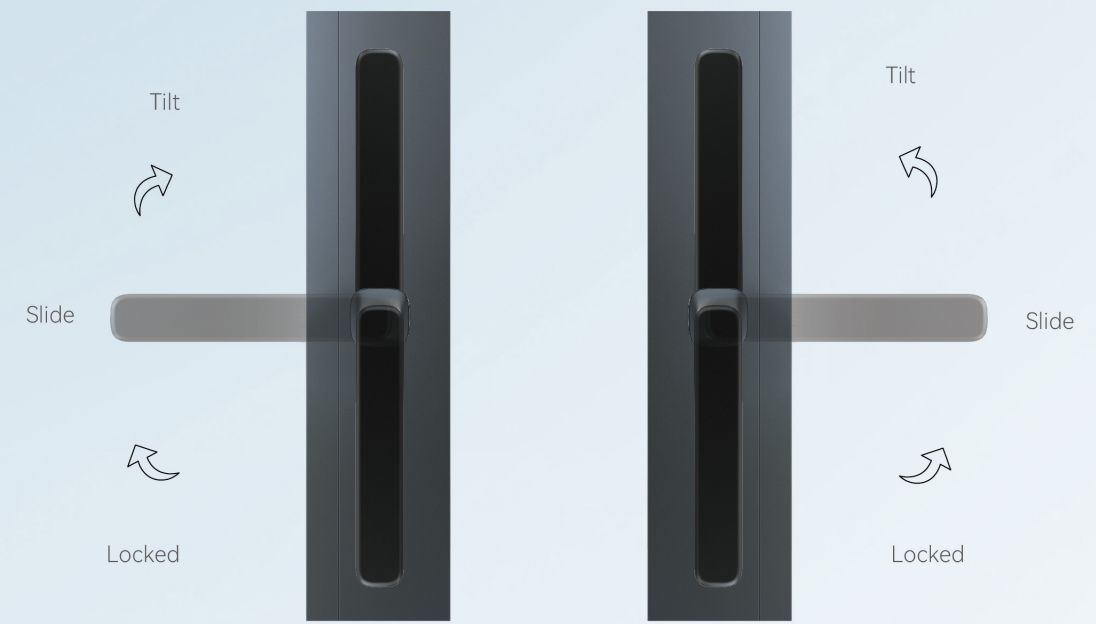


G46 Tilt and Slide Window

Hardware Control System



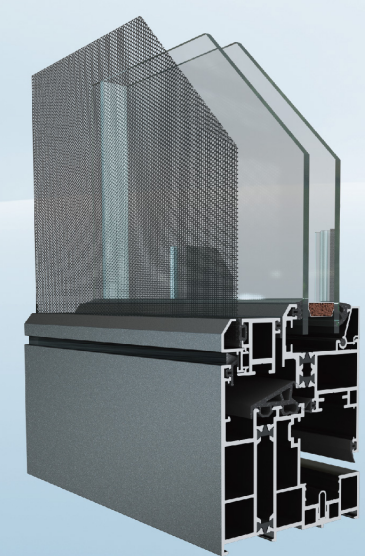
Operation Diagram



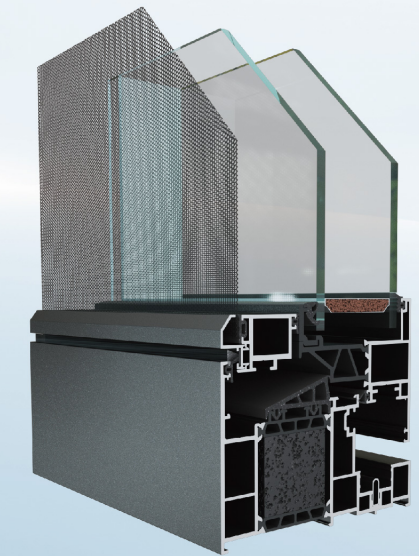
a. Right-Opening Sash

b. Left-Opening Sash

Profile Information

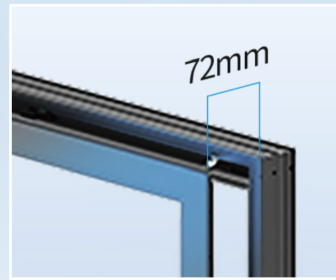


Thermal Break: 24 mm



Thermal Break: 35.3 mm

Two Opening Modes



Sliding Opening

Large-area ventilation with a sleek design. 72 mm inward movement without interfering with curtains. Does not occupy indoor space and avoids collision.



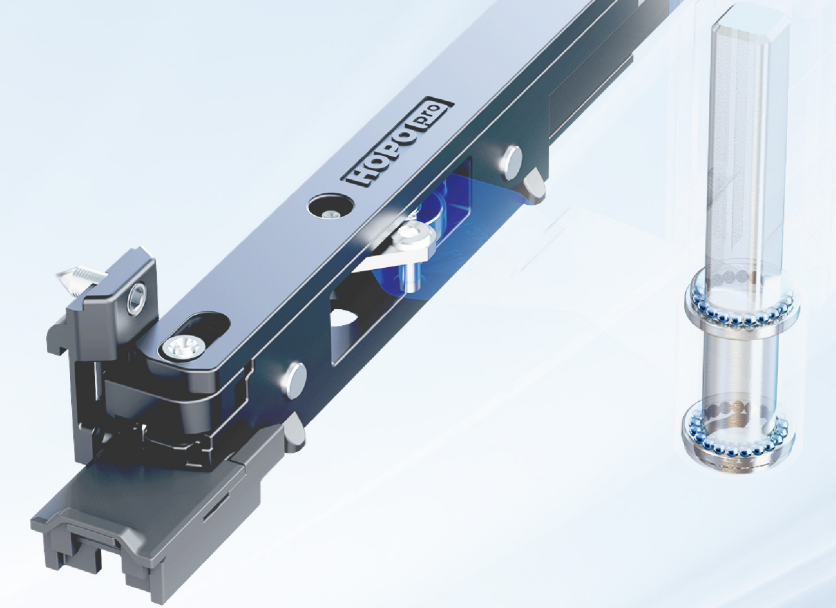
Tilt Opening

Micro-ventilation keep air circulation. Dual-arm design with a tilt distance of 115mm. Providing a wider opening angle and greater stability.



Superior Load-Bearing & Smooth Operation

High-strength hard alloy spindle with a steel ball bearing supports up to 100 kg, suitable for large triple-glazed windows.



Innovative polymer rollers ensure silent, smooth operation. Dual-assist structure enables easy, effortless sliding.



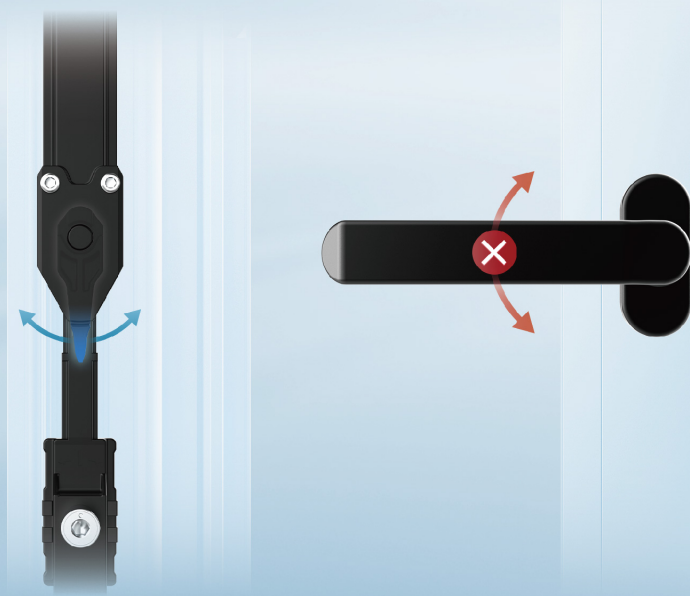
Self-Locking Structure

Inward self-locking design prevents collisions and friction with the frame, protecting windows, doors, and hardware.



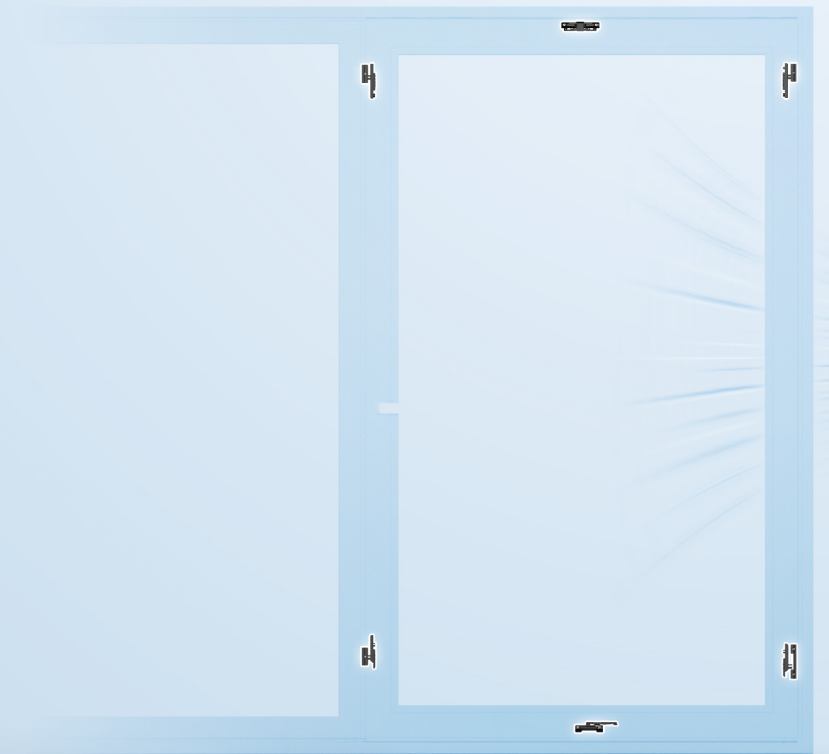
Dual-Sided Anti-Misoperation Design

Prevents handle rotation after opening to avoid collision between locking points and plates, protecting the hardware for safety and durability.



Windproof & Thermal Insulation

Additional locking points can be added at the top and bottom of the sash as needed. Multi-point sealing locks enhance wind resistance and sound insulation.

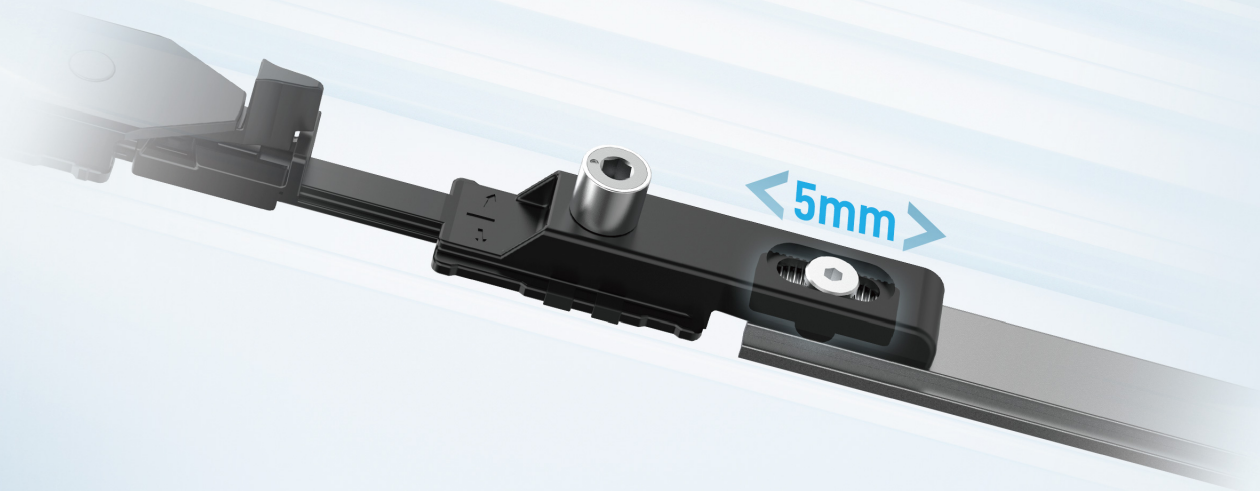


Easy Installation & Efficient Assembly

Quick installation with set screws and clamping pieces ensures secure fastening.



5 mm fine-tuning connection in the transmission unit for easy adjustment.



Top and bottom roller assemblies are positioned through the corner groove for one-step installation.



No profile slotting or notching is required, ensuring sash frame strength and integrity.



Innovative R&D

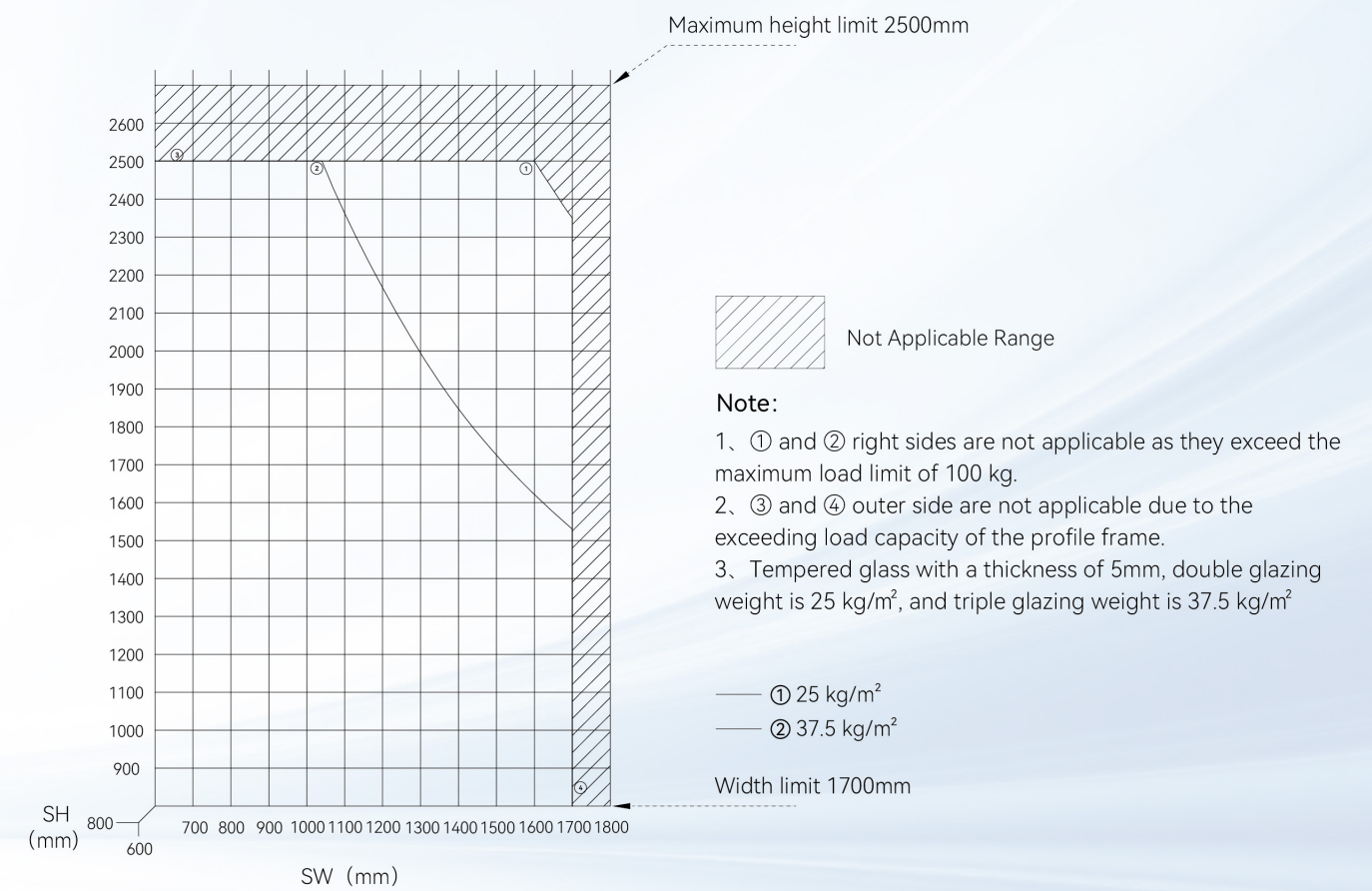
Tilt and Slide Window System has been awarded 13 patents.



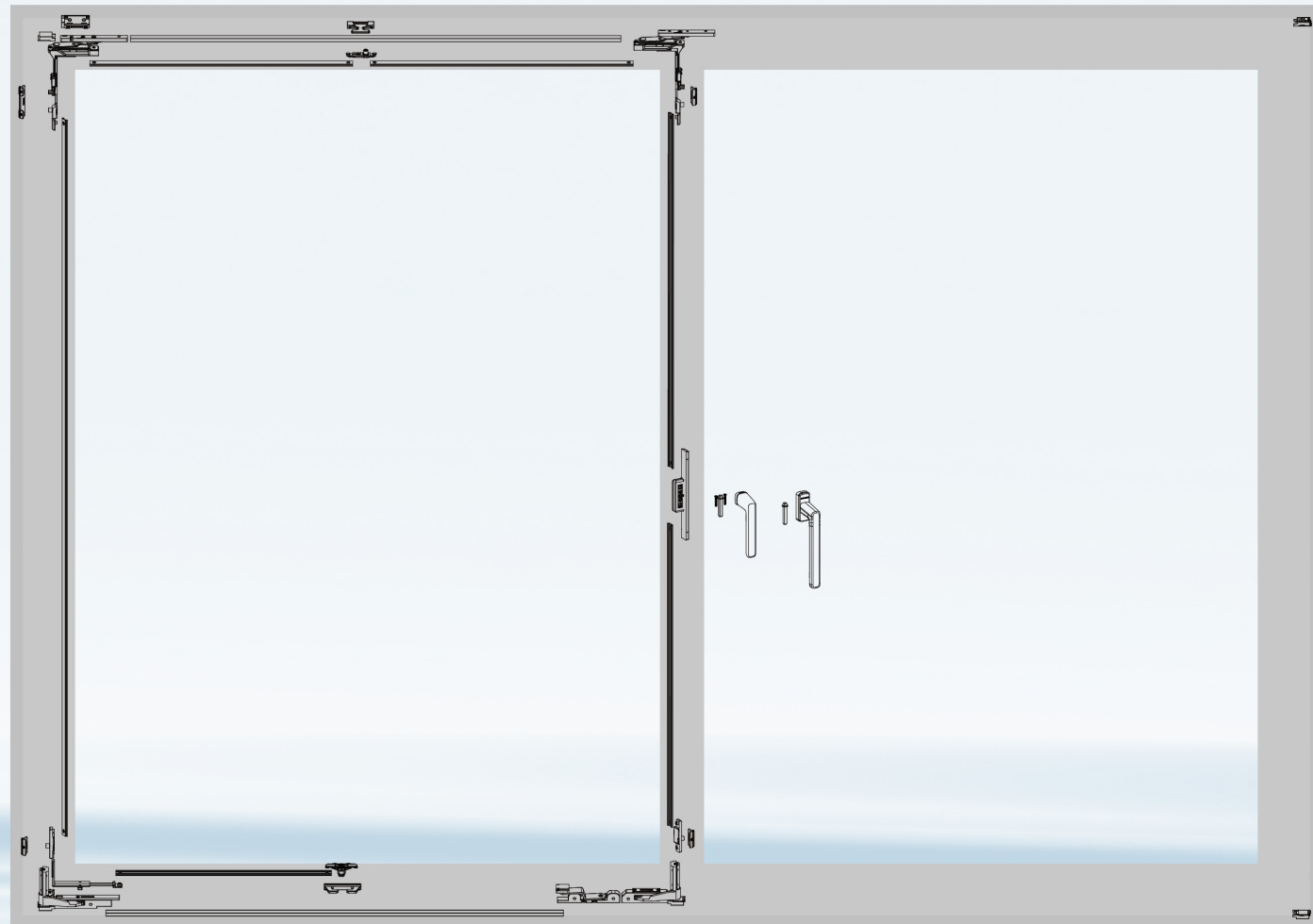
Application Parameters

No.	1	2	3	4	5
Category	Sash Width (SW)	Sash Height (SH)	Standard Load Capacity	Max. Load Capacity	Min. Load Capacity
Parameter	600 mm ≤ SW ≤ 1700 mm	800 mm ≤ SH ≤ 3000 mm	100 kg	130 kg (with hinge replaced)	60 kg (with hinge replaced)

Load-Bearing Curve



Hardware Configuration Diagram



Configuration List

Tilt and Slide Window Configuration (100KG)

No.	Product Name	Qty	Unit	Product Code	Notes
1	PH952 Handle	1	pc	PH952.00.168HPRO5	168 Antibacterial matte black. Available in 012 silver
2	SP07 Square Spindle	1	pc	SP07.12.25C021X	25mm
3-1	Tilt and Slide Window System (Left)	0	pc	ASS56.00.031LHPRO4	13mm Center distance, left
	Tilt and Slide Window System (Right)	1	set	ASS56.00.031RHPRO4	13mm Center distance, right
3-2	Tilt and Slide Window System (Left)	0	set	ASS56.06.031LHPRO4	6.5mm Center distance, left
	Tilt and Slide Window System (Right)	1	set	ASS56.06.031RHPRO4	6.5mm Center distance, right

Optional Accessories

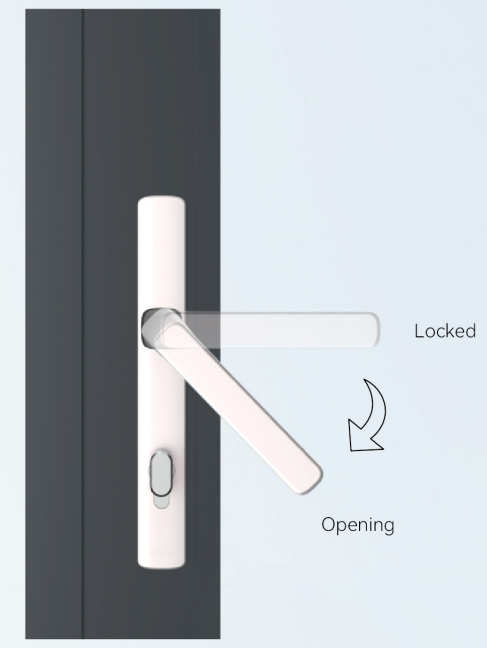
No.	Product Name	Qty	Unit	Product Code	Notes
1	Aluminum Rod	As needed	pc	DR56.15.065X	1500 mm length. Select one unit when sash width is below 1100 mm; select two units when sash width exceeds 1100 mm
2	Horizontal Locking Rod	As needed	pc	ALR56.01.031X	Additional units are recommended for sash width over 1400 mm — add one set
3	Locking Plate	As needed	pc	ALP56.00.031X	
4	Horizontal Lower Locking Rod	As needed	pc	ALR56.03.031X	Additional units are recommended for sash width over 1000 mm — add one set
5	Horizontal Lower Locking Plate	As needed	pc	ALP56.02.031X	
6	Locking Rod	As needed	pc	ALR56.02.031HPRO4	Additional units are recommended for sash height over 1300 mm — add two sets; for sash height over 2000 mm, add four sets
7	Extended Locking Plate	As needed	pc	ALP56.05.031HPRO4	



Non-Groove Swing Door

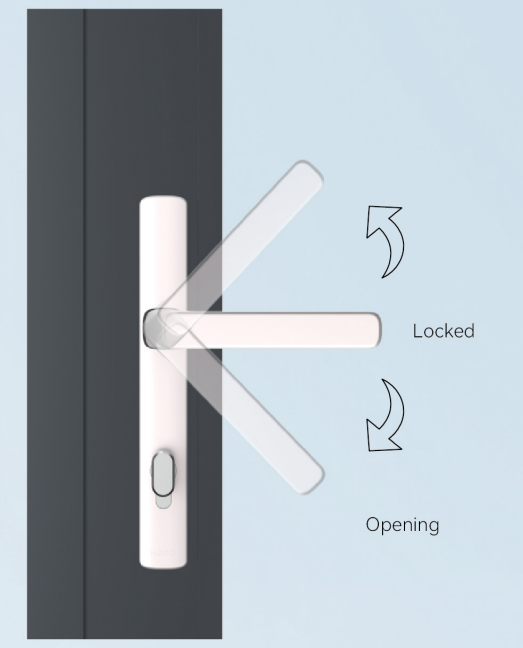
Hardware Control System

Operation Diagram



Operation Description

For single-lock system: Locking and unlocking are performed through the cylinder knob and key, which control the square bolt. After unlocking, normal opening and closing are achieved by pressing down the handle to operate the latch bolt.



Operation Description

For multi-point lock system: After lifting the handle, locking and unlocking are performed through the cylinder knob and key, which control the square bolt. After unlocking, normal opening and closing are achieved by pressing down the handle to operate the latch bolt.

Profile Information



Stable Quality

The entire hardware set is made of premium stainless steel for superior durability and refined texture, offering excellent scratch and wear resistance.

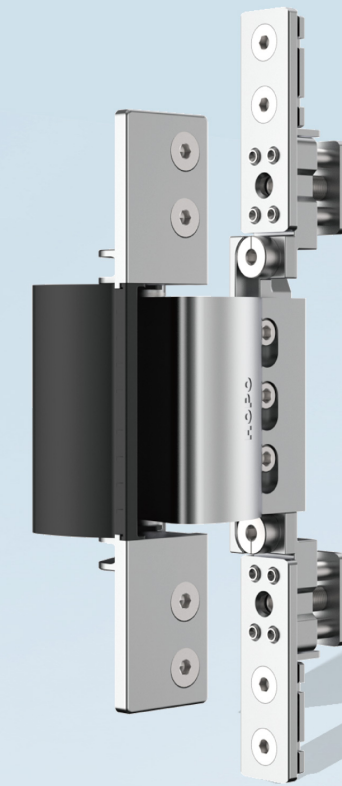


Tested for over 200,000 opening and closing cycles to ensure long-term stability and reliability.

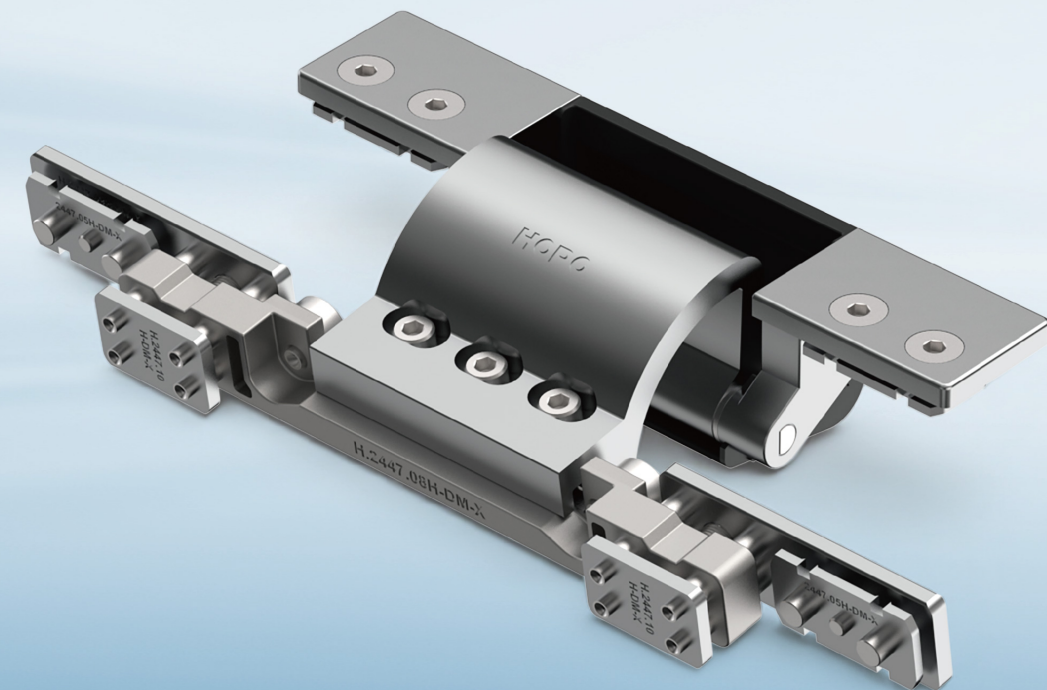


Stable Quality

The hinge body combines precision stainless steel and aluminum alloy for superior strength, corrosion resistance, and extended service life.



The brushed hinge surface with anodized silver finish resists fingerprints, scratches and abrasion.



Sleek Appearance

Multi-point locks and passive-leaf shoot bolt feature an integrated panel design for a unified structure and clean, elegant look.



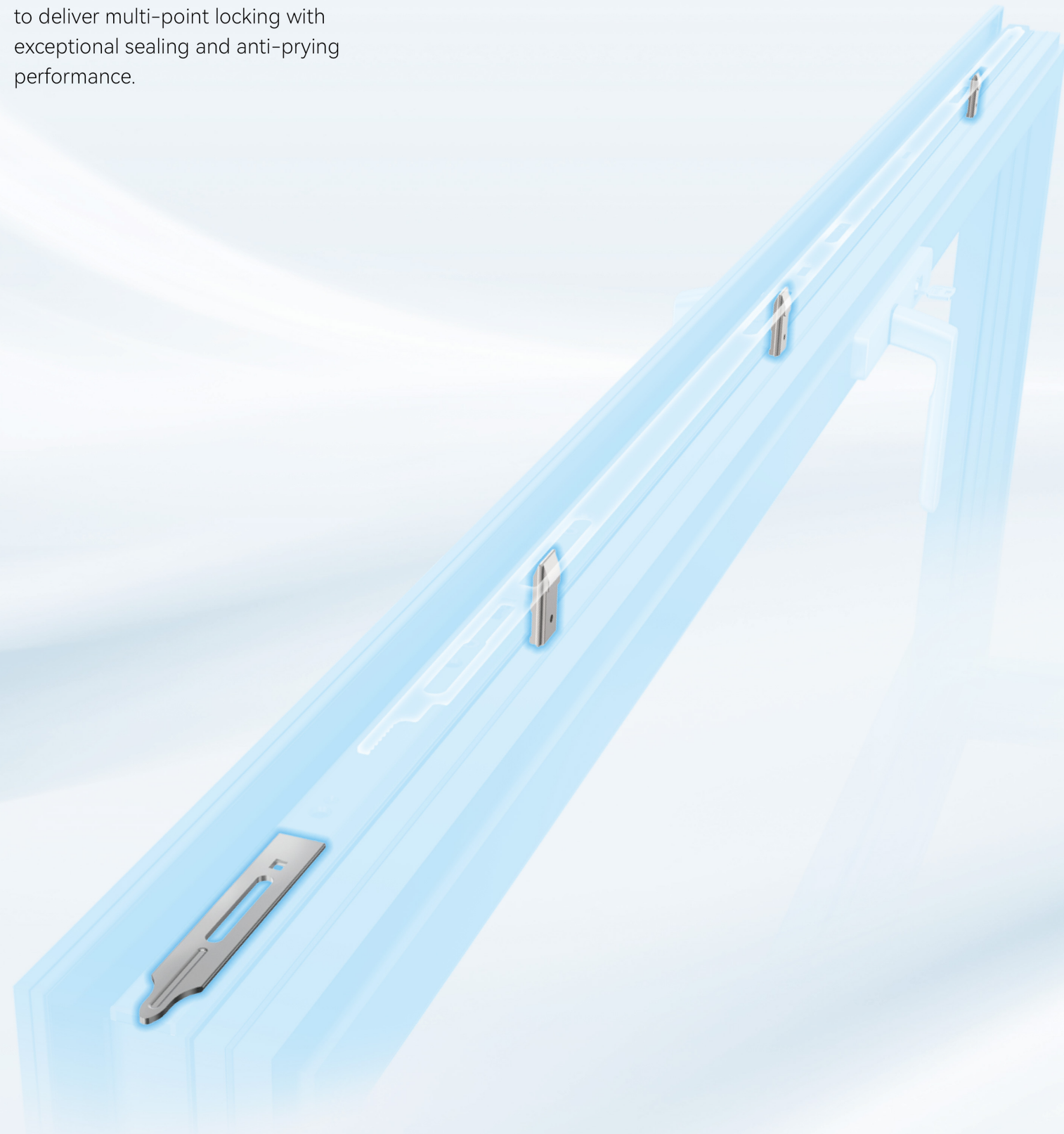
Sleek Appearance

The hinge is completely hidden when the door is closed, leaving no visible components and enhancing the overall visual harmony.



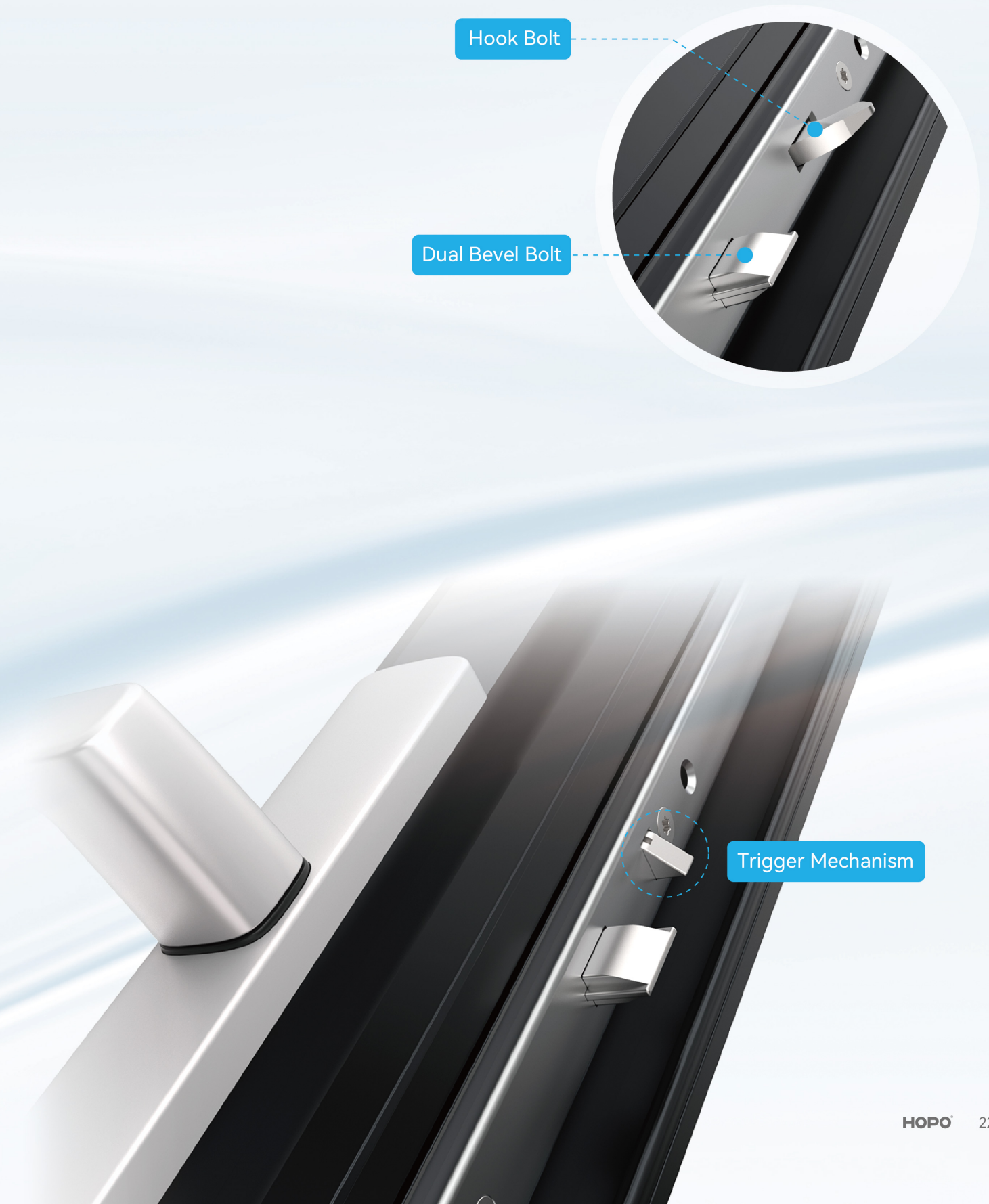
Multi-Point Locking

Dual bevel bolt and hook bolt combine to deliver multi-point locking with exceptional sealing and anti-prying performance.



Multi-Point Locking

The latch and hook bolts extend simultaneously upon closing, enabling automatic pre-sealing and providing primary anti-burglary protection.

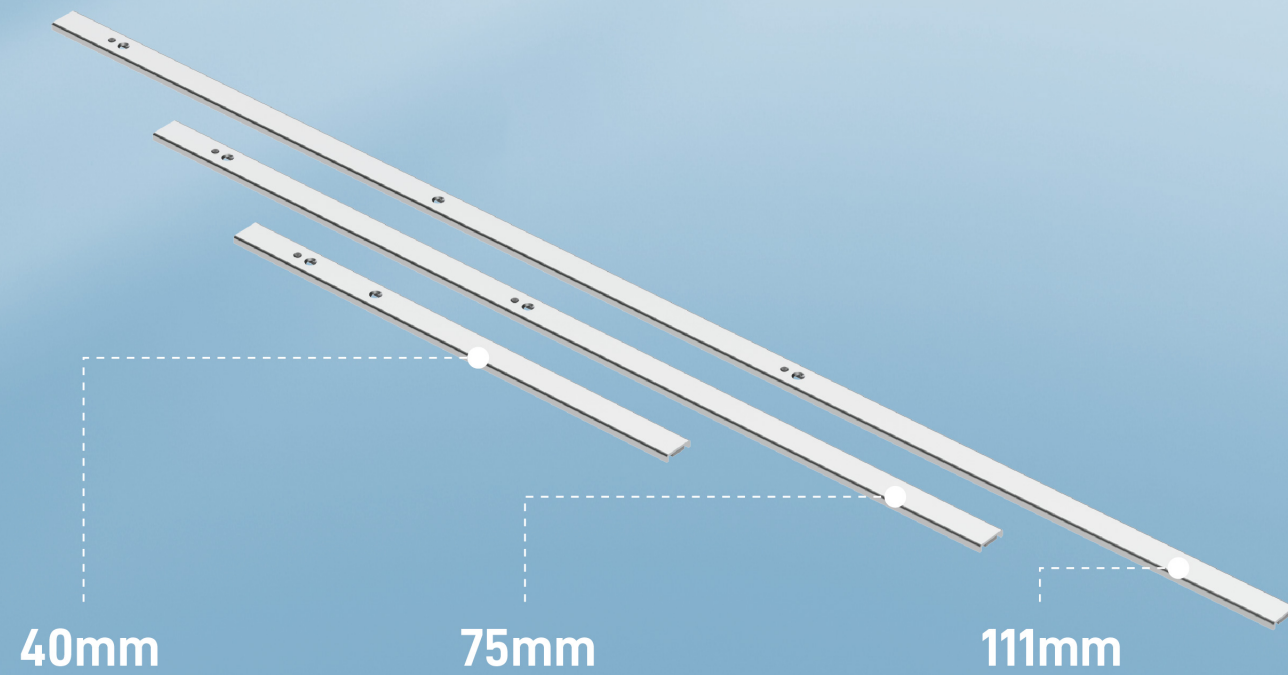


Multi-Point Locking

The lock body connects seamlessly with top and bottom shoot bolts for improved sealing and double-layered security.

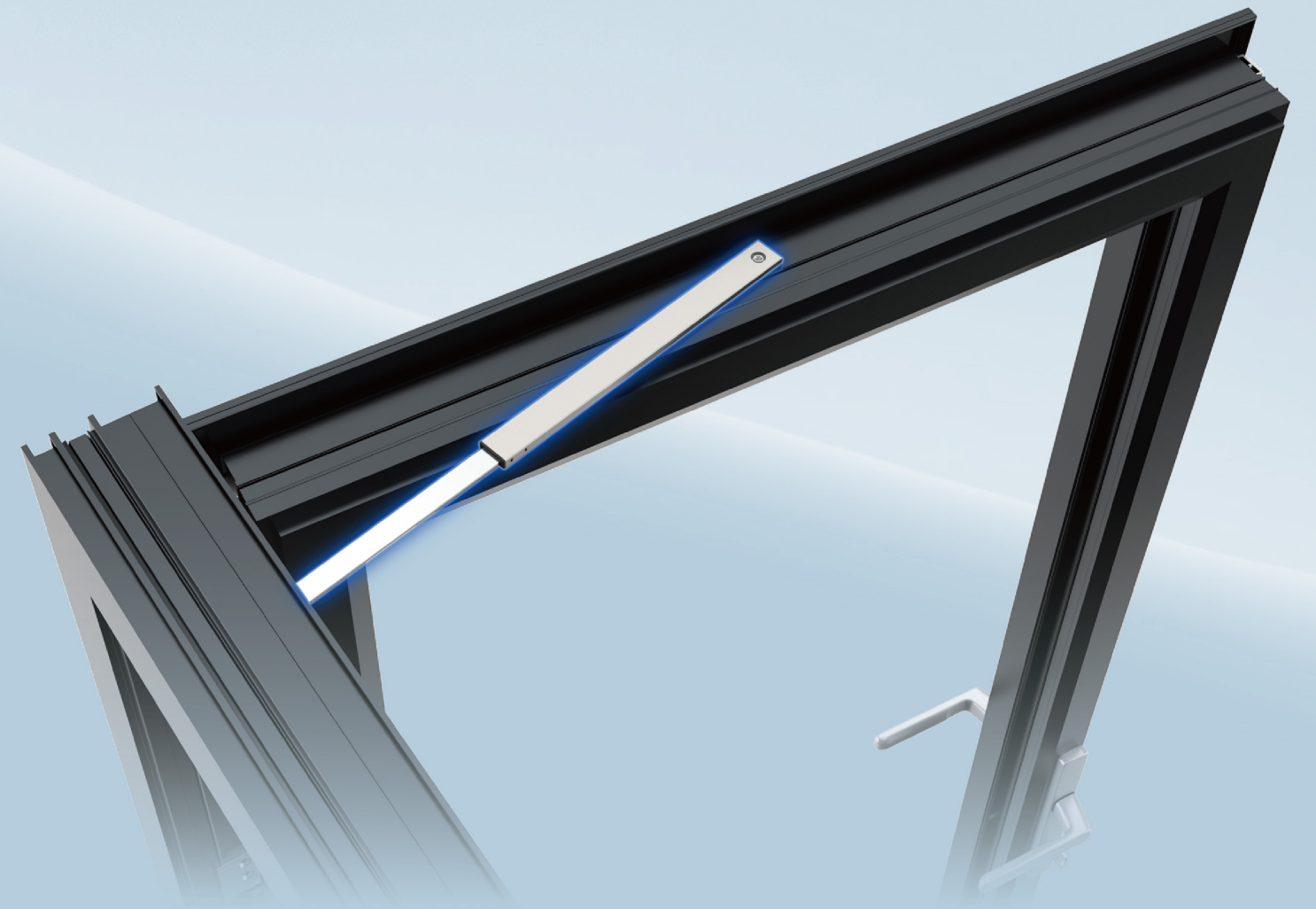


Multiple extended shoot-bolt options ensure flexible configuration and compatibility with various door heights.



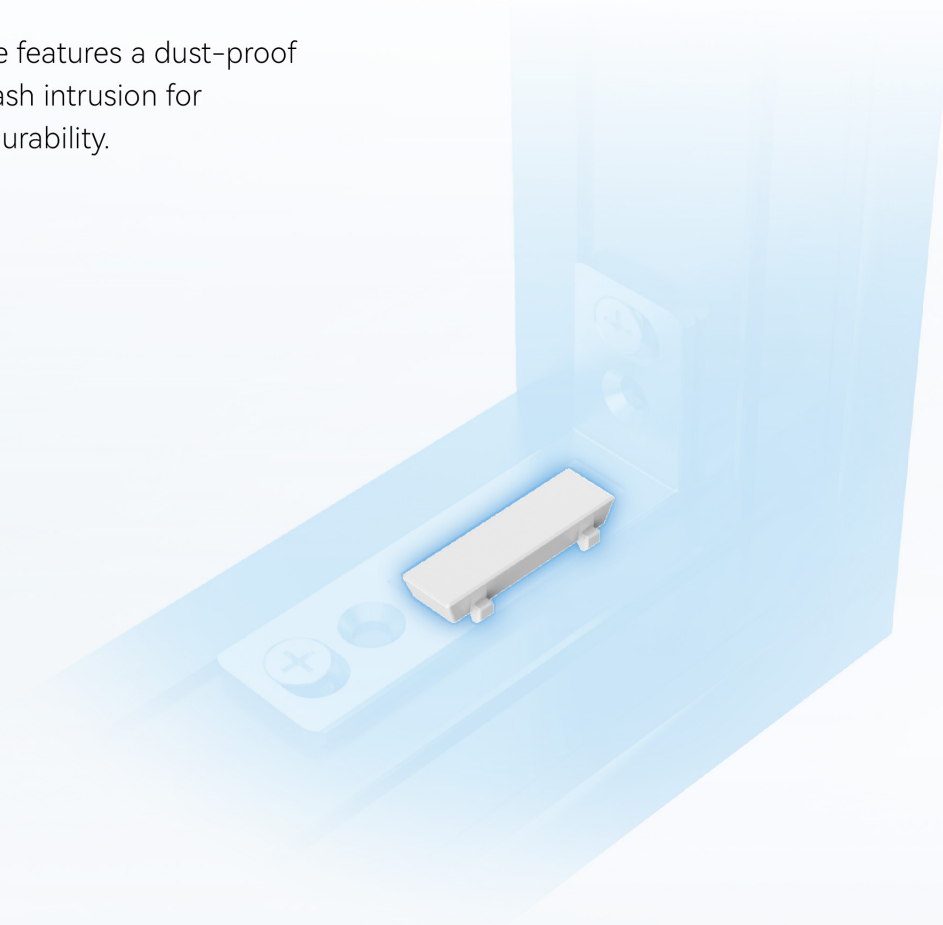
Comprehensive Protection

Optional friction stays limit over-opening, protecting hardware and extending service life.

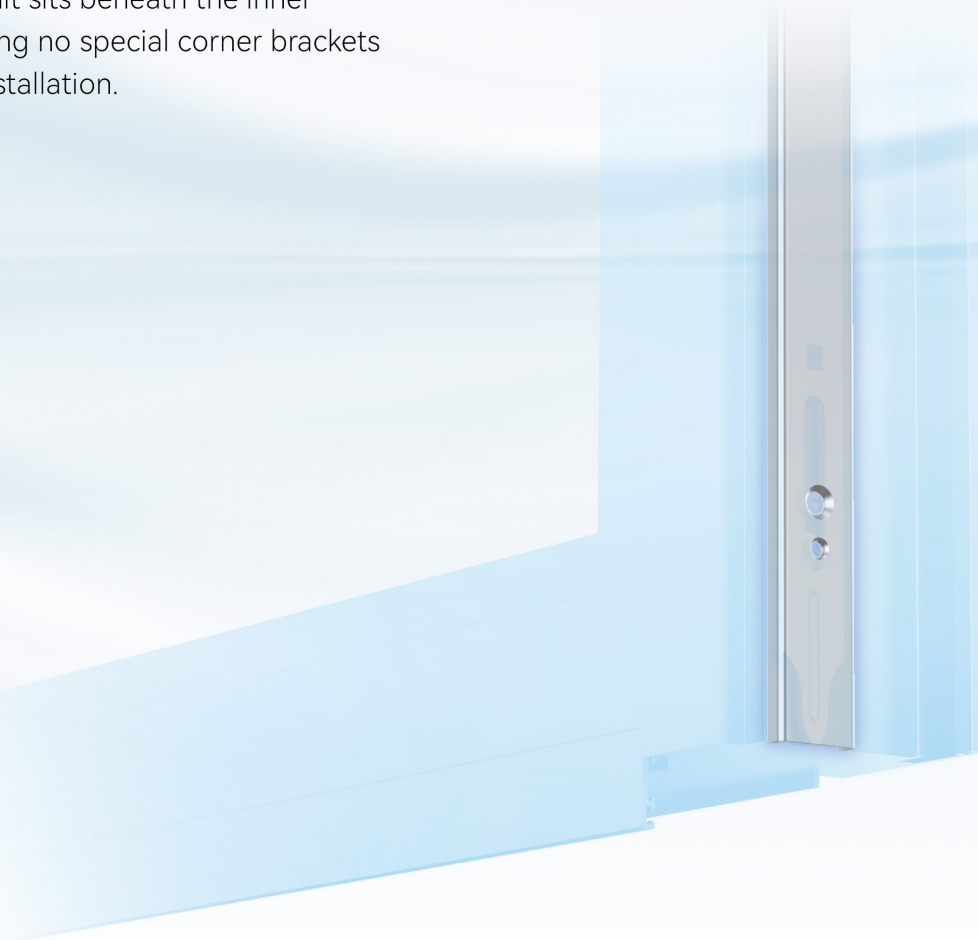


Comprehensive Protection

The shoot-bolt base features a dust-proof design that blocks ash intrusion for maintenance-free durability.



The transmission unit sits beneath the inner frame panel, requiring no special corner brackets for fast, accurate installation.

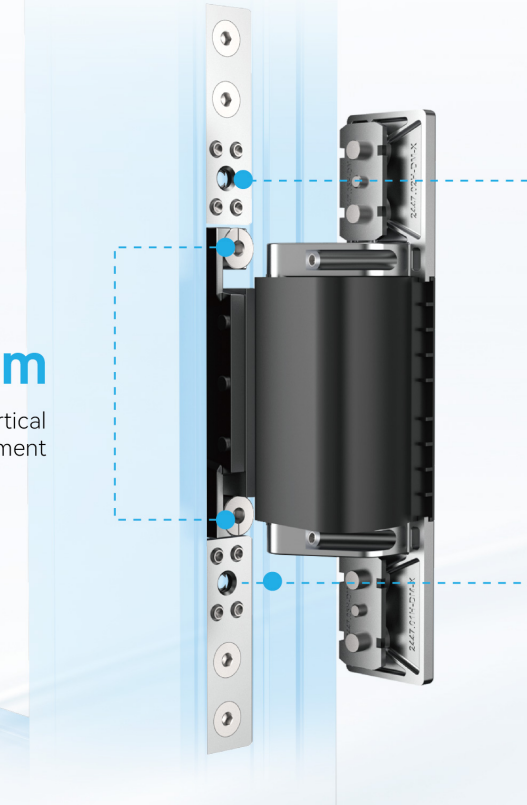


Comprehensive Protection

Clamp-mounted hinge design for easy installation.

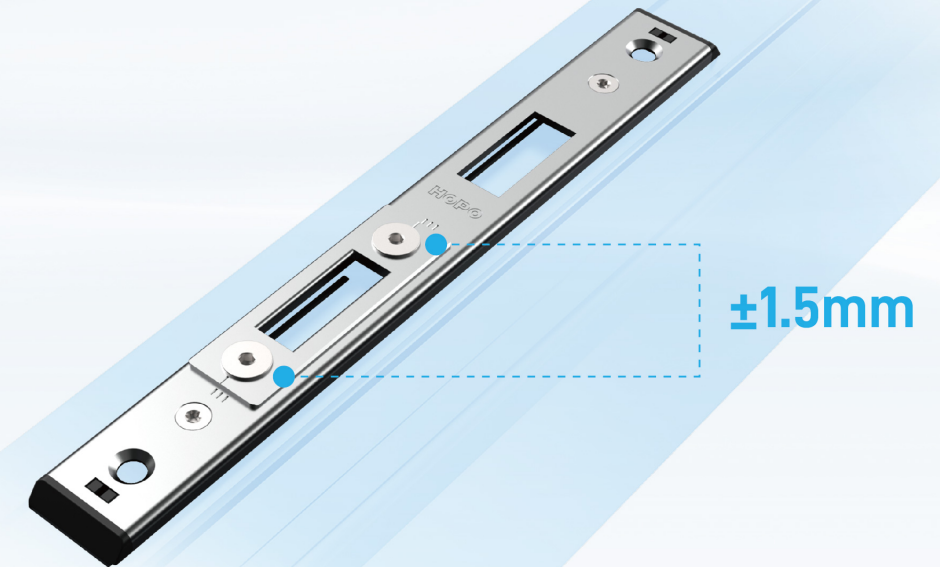
Clamp-mounted hinge allows both vertical and horizontal adjustment for precise alignment.

5mm
Vertical
Adjustment



9.5mm
Horizontal
Adjustment

The locking plate eccentric axis is adjustable by ± 1.5 mm.

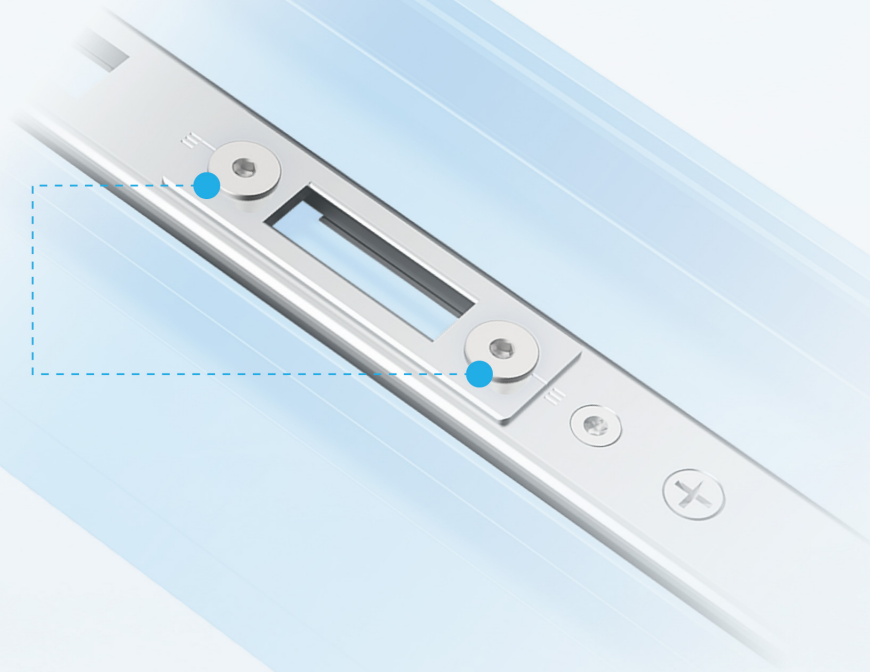


± 1.5 mm

Comprehensive Protection

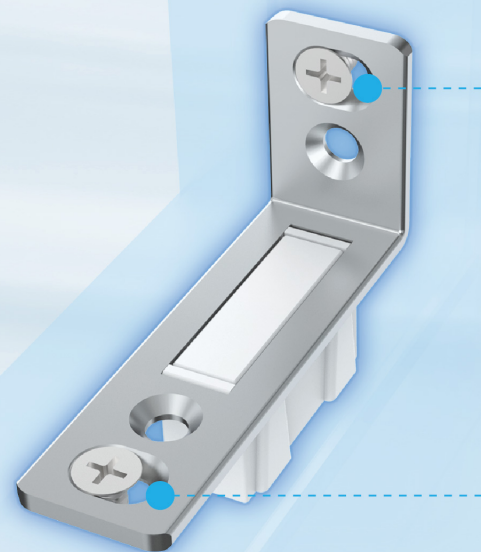
The passive-leaf shoot-bolt locking plate is adjustable by ± 1.5 mm.

$\pm 1.5\text{mm}$



The shoot-bolt base plate is adjustable by ± 1 mm.

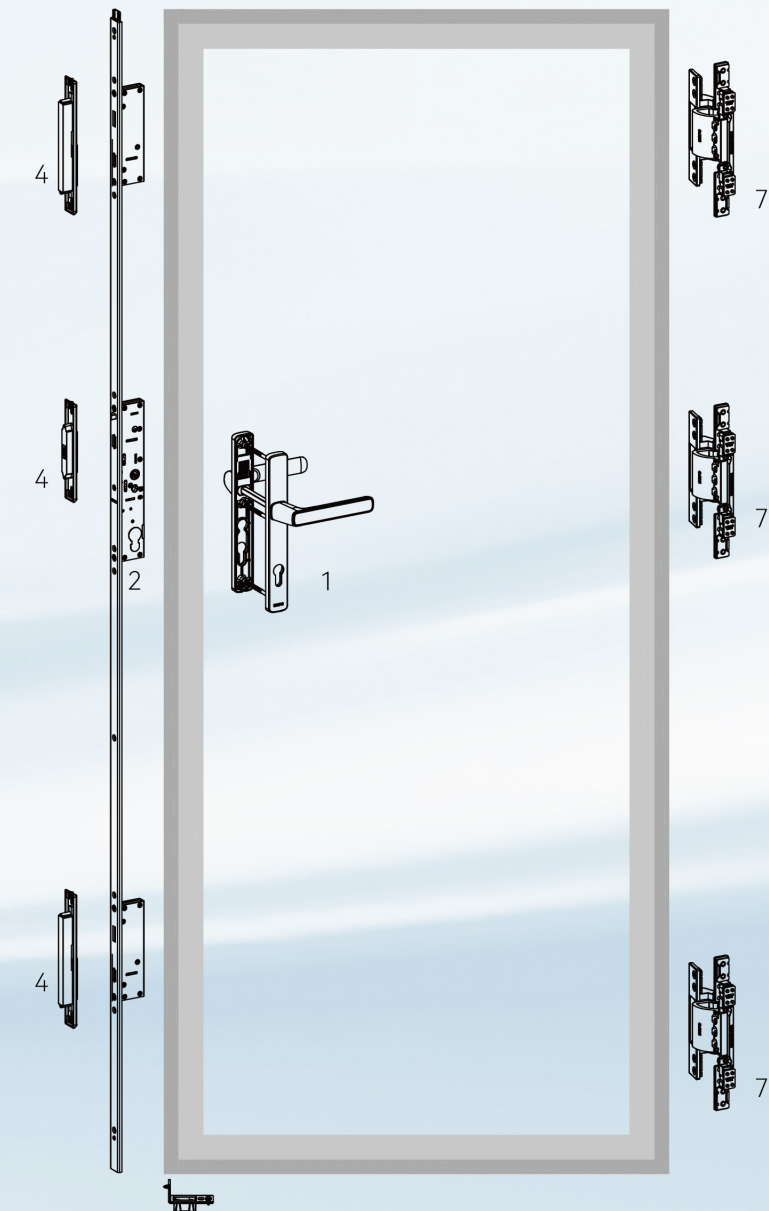
$\pm 1\text{mm}$



Application Parameters

No.	1	2	3	4
Category	Sash Width (SW)	Sash Height (SH)	Standard Load Capacity	Maximum Load Capacity
Parameter	$450 \text{ mm} \leq \text{SW} \leq 1200 \text{ mm}$ (Active Sash) $270 \text{ mm} \leq \text{SW} \leq 1200 \text{ mm}$ (Passive Sash)	$2090 \text{ mm} \leq \text{SH} \leq 3000 \text{ mm}$ (Double Opening) $1850 \text{ mm} \leq \text{SH} \leq 3010 \text{ mm}$ (Single Opening)	150 kg (2 hinges)	180 kg (3 hinges)

Hardware Configuration Diagram



Application Parameters

Single-Opening Door Configuration

No.	Product Name	Qty	Unit	Product Code	Notes
1	605 Door Handle Set	1	set	HSD605.168168H5	with cylinder hole, 168 antibacterial matte black, optional 012 silver
2	C99 Cylinder	1	pc	C99.7030C4T029	Other specifications optional
3	Integrated Multi-Point Lock	1	pc	SDLH57.25.24C38H5	-
4	Locking Plate	1	set	ALPD53.00.38H5	-
5-1	Extended Shoot Bolt	1	pc	ASB23.00.40C38X	40: Sash height: 2090-2310 mm 75: Sash height: 2310-2660 mm 111: Sash height: 2660-3010 mm (choose one)
5-2	Extended Shoot Bolt	1	pc	ASB23.00.75C38X	
5-3	Extended Shoot Bolt	1	pc	ASB23.00.111C38X	
6	Single Sash Shoot-Bolt Plate	2	pcs	ASLP23.00.38X	-
7	Concealed Hinge	3	pcs	HBH103.00.38H5	Use 2 hinges for sashes up to 150 kg or 3 hinges for sashes up to 180 kg
8	Friction Stay	1	pc	ATR22.00.38H5	Optional

Hardware Configuration List

Double-Opening Door Configuration

Active Sash					
No.	Product Name	Qty	Unit	Product Code	Notes
1	605 Door Handle Set	1	set	HSD605.168168H5	with cylinder hole, 168 antibacterial matte black, optional 012 silver
2	C99 Cylinder	1	pc	C99.7030C4T029	Other specifications optional
3	Integrated Multi-Point Lock	1	pc	SDLH57.25.24C38H5	-
4-1	Extended Shoot Bolt	1	pc	ASB23.00.40C38X	40: Sash height: 2090-2310 mm 75: Sash height: 2310-2660 mm 111: Sash height: 2660-3010 mm (choose one)
4-2	Extended Shoot Bolt	1	pc	ASB23.00.75C38X	
4-3	Extended Shoot Bolt	1	pc	ASB23.00.111C38X	
5	Anti-Dust Shoot Bolt Plate	2	pcs	ASLP22.00.38X	-
6	Concealed Hinge	3	pcs	HBH103.00.38H5	Use 2 hinges for sashes up to 150 kg or 3 hinges for sashes up to 180 kg
7	Friction Stay	1	pc	ATR22.00.38H5	Optional
Passive Sash					
8	605 Door Handle Set	1	set	HSD615.168168H5	with cylinder hole, 168 antibacterial matte black, optional 012 silver
9-1	Extended Shoot Bolt	1	pc	ASB23.00.40C38X	40: Sash height: 2090-2310 mm 75: Sash height: 2310-2660 mm 111: Sash height: 2660-3010 mm (choose one)
9-2	Extended Shoot Bolt	1	pc	ASB23.00.75C38X	
9-3	Extended Shoot Bolt	1	pc	ASB23.00.111C38X	
10	Passive-Sash Shoot-Bolt	2	pcs	ASB22.25.24C38H5	Integrated locking plate function
11	Concealed Hinge	3	pcs	HBH103.00.38H5	Use 2 hinges for sashes up to 150 kg or 3 hinges for sashes up to 180 kg
12	Friction Stay	1	pc	ATR22.00.38H5	Optional